

SPU 516-09 Active multiswitch | 5 in 16 | premium-line



- ✓ For up to 16 subscribers
- ✓ Active satellite and terrestrial path
- ✓ Terrestrial adjustable, switchable to passive (thus suitable for return channel)
- ✓ Cascadable
- ✓ Suitable for broadband return path (EoC suitable up to 204 MHz)
- ✓ Suitable for Quad LNB
- ✓ Switching power supply unit (detachable up to 10 m)

Order information

Type	SPU 516-09
Order no.	SPU51609
GTIN	7611682000498
PE	1
VE	1
EU customs tariff number	85291095



Technical data

Inputs

Number	5
Frequency range	5 ... 862 MHz 950 ... 2200 MHz
Attenuator adjustment range TERR, switchable to passive	20 dB

Subscriber ports

Number	16
Switch commands	13/18 V, 0/22 kHz
Gain SAT	-6...0 dB
Gain TERR active	-5...0 dB
Gain TERR passive	-23...-25 dB
Isolation	>26 dB
Switching isolation	>26 dB
Max. output level SAT (3rd order SAT EN 50083:3 35dB KMA, 2 sender test method)	94 dBµV
Current consumption per port (without LNB supply)	25 mA

Trunk outputs

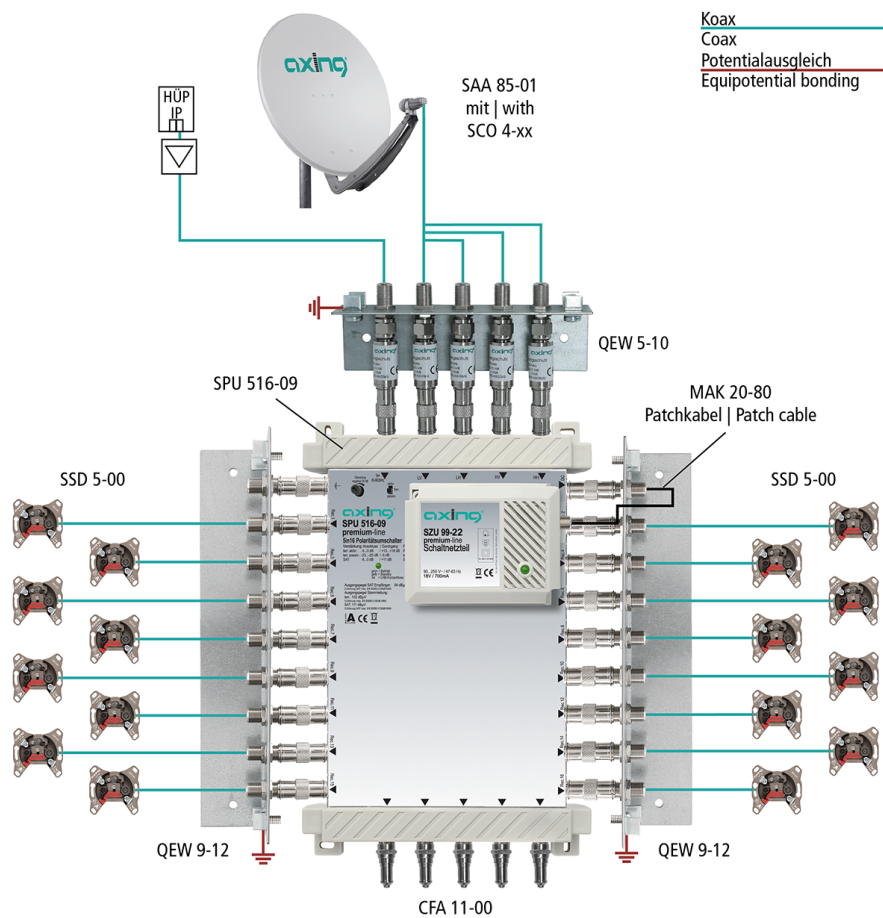
Number	5
Gain TERR active	13...18 dB
Gain TERR passive	-5 dB
Gain SAT	11 dB
Max. output level TERR (3rd order EN 50083:3, 60 dB KMA)	103 dBµV
Max. output level trunk SAT (3rd order EN 50083:3, 35 dB KMA, 2 sender test method)	113 dBµV
Isolation	>26 dB
Rejection (SAT TERR)	>40 dB

Connectors

Connector type	F
General	

Switching power supply	90...250 V~ 47-63 Hz 18 V=/0.7A
Power indicator	LED
Power consumption without LNB supply (TERR passive active)	4.6 6.7 W
Power consumption in Stand-by (TERR passive active)	2.4 4.5 W
Equipotential bonding connection	4 mm ²
Operating temperature range (acc. to EN 60065)	-20...+50°C
Dimensions (W × H × D) appr.	195 × 255 × 85 mm
Weight	1.080 kg
IP code	IP20

Example of use



Suitable products

- [QEW 5-10 Earthing angle | single-rowed | surge protection](#)
- [QEW 9-12 Earthing angle | single-rowed | quickfix](#)
- [MAK 20-80 F | patch cable | axial connectors male | double shielded | 0.20 m](#)
- [CFA 11-00 Terminating resistor | 75 Ohm | DC isolated](#)
- [CFA 4-01 Adapter F/F | Quickfix](#)