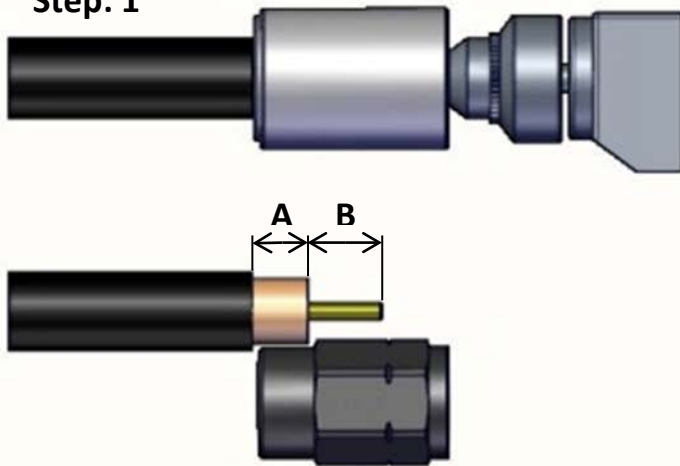


Mounting Instruction for TrueLock Connector

Type TL212

Step: 1



Step: 2



Step: 3



Step: 4



Mechanical stop

Step: 1

Use Cabelcon's Dualstrip tool (item no. 28021275 for welded copper cables) for proper preparation of the cable.

Please read the enclosed user instruction before operation the tool.

After completed strip operation, the prepared cable dimension should be as following:

A = 11,0mm

B = 8,0mm

If necessary, clean the cable inner conductor with a conductor cleaner item no. 98500903 and the outer conductor with appropriate equipment.

Step: 2

Place the back nut over the cable and push it back ward to reach mechanical stop.

Step: 3

Push the front end of the connector and the back nut (with cable) together by hand. During this step, the cable's inner conductor slips in to the center seizing mechanism of the connector front part.

Step 4:

Tighten the back nut by hand as far as possible. Then use two open ended spanners to further tighten the back nut to mechanical stop.

The connector body must be kept in place during the tightening.

Tools and Accessories	Item No.
DUALSTRIP TOOL -TL212/-TL243	28021275
GROUNDING RING TYPE 2	98028562
CABLE CUTTER TRUNK 25.4mm	98028623
CONDUCTOR CLEANER CC-200EUR	98500903
TORQUE WRENCH HEX 22mm 9.0NM (for 3,5/12M interface)	98029110
TORQUE WRENCH HEX 14mm 4.5NM (for FM interface)	98029095
TORQUE WRENCH HEX 15mm 4.5NM (for IEC14M interface)	98029098

ISO 9001 certified

CORNING

Corning Cabelcon ApS, Industriparken 10, DK-4760 Vordingborg

Tel: +45 55 98 55 99 Fax: +45 55 98 55 04

E-mail: cabelcon@corning.com www.cabelcon.dk

Rev. Date: 05/12-2013