



# LAATUAN TENNI OY

## General Description

300W Power Tapper (350-5925MHz, -160dBc, IP65, 4.3/10-female)

### Features & Benefits

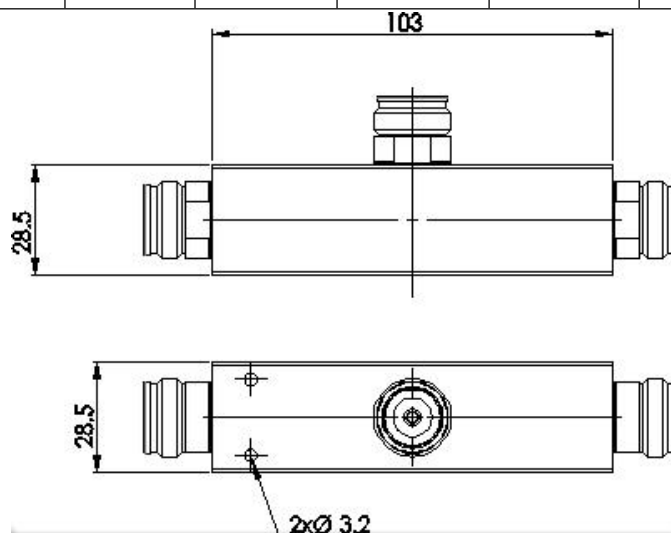
- Guaranteed PIM Compliance
- Wide Frequency Band Covering 350-5925MHz
- Low Insertion Loss
- Low VSWR



### Electrical Specifications

Model No.		LAD DC xx-6GHz							
Frequency Range(MHz)		350~5925MHz							
Power Rating(W)		300W							
Weight(kg)		≤0.3							
Impedance(Ω)		50							
IP Class		IP65							
Connectors		4.3-10-F							
Temperature(°C)		-25~+65							
PIM(dBc)		≤-160@+43dBm×2, Typical:≤-163@+43dBm×2;							
Ratio(dB)	Output Split(dB)	Ripple in-band(dB)						Max Input VSWR	
		350-380MHz	380-520MHz	698-960MHz	1710-2700MHz	3500-4500MHz	4900-5925MHz	698-2700MHz	350-5925MHz
2:1/4.8dB	-1.8/-4.8	+0/-1.3	+0.3/-1.0	±0.5	±0.5	+0/-1.5	±0.5	1.3:1	1.4:1
3:1/6.1dB	-1.3/-6.1	+0/-1.3	+0.3/-0.8	±0.5	±0.5	+0/-1.5	±0.5	1.2:1	1.3:1
4:1/7.0dB	-1.0/-7.0	+0/-1.3	+0.3/-0.8	±0.5	±0.5	+0/-1.5	±0.5	1.2:1	1.3:1
6:1/8.6dB	-0.7/-8.6	+0/-1.3	+0.3/-0.5	±0.5	±0.5	+0/-1.5	±0.5	1.2:1	1.3:1
10:1/10.4dB	-0.4/-10.4	+0/-1.3	+0.3/-0.5	±0.5	±0.5	+0/-1.5	±0.6	1.2:1	1.3:1
20:1/13.2dB	-0.2/-13.2	±1.0	±0.6	±0.6	±0.6	+0/-1.5	±0.6	1.2:1	1.3:1
30:1/15.1dB	-0.1/-15.1	±1.0	±0.7	±0.7	±0.7	+0/-1.5	±1.0	1.2:1	1.3:1
100:1/20.1dB	-0.1/-20.1	±1.0	±1.0	±1.0	±0.7	+2.0/-0	+4.0/-0	1.2:1	1.25:1
1000:1/30.1dB	-0.1/-30.1	±1.0	±1.5	±1.0	±0.7	+2.0/-1.0	+4.0/-0	1.2:1	1.25:1

### Mechanical Drawing



Dimensions in mm