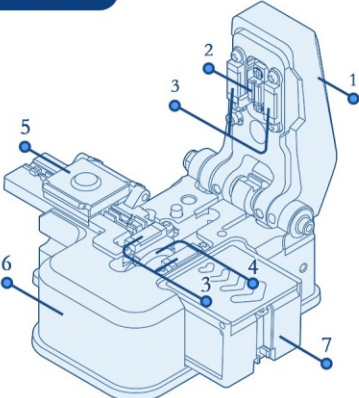


HIGH PRECISION FIBER CLEAVER INSTRUCTION MANUAL

Attention Please Read Me Before Operation

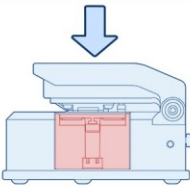
- Please store the product in a dry and clean place at ordinary temperature.
- Don't wet the product, hit it violently, or wipe the rubber pad with alcohol.
- Please clean the dirt on pressure board regularly.
- Constantly clean the collector and ensure no dust and oil dirties inside.

Parameters And Structure

Product Name	Fiber Cleaver	▼ Structure  <p>1. Cover Plate 2. Block 3. Rubber Pad 4. Blade 5. Fiber Fixture 6. Base 7. Collector</p>
Applicable Bare Fiber Diameter	125μm	
Applicable Fiber Core	Singe Core	
Fiber Cutting Length	5~20+mm	
Average Cutting Angle	≤ 0.5°	
Blade Life	≥ 60000 Times (1000 Times * 20 Position * 3 Adjustable Height)	
Blade Type	Φ22(mm) φ4(mm) H:2(mm)	
Dimension	73W*91D*48H(mm)	
Weight	About 216g	
Fiber Fixture	Special Fixture (Four In One)	
Standard	Collector\Box\Instruction Manual\Allen Key	
Optional Accessories	Multifunctional Fixture	

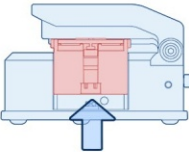
Removal Method of Collector

A



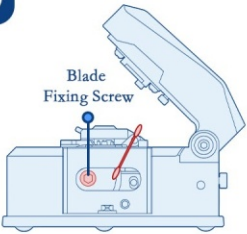
Press the cover down

B



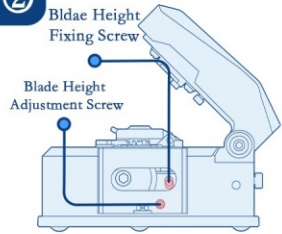
Lift the collector up with a little force, then can easily remove the collector

①



Blade Fixing Screw

②



Blade Height Fixing Screw
Blade Height Adjustment Screw

▼ Blade Height Adjustment Method

1. Loosen the **Blade Height Fixing Screw** by allen key. (PIC.②)
2. Fine tune the **Blade Height Adjustment Screw**. Turn clockwise to lift the blade height, counterclockwise to lower blade height. (PIC.②)
3. Put in the optical fiber and close the Cover Plate. Then Control the cover to move the blade to check the high of blade is correct. Finally fix the screws.

▼ Replace Blade

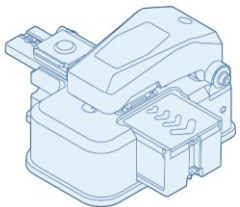
1. Loosen **Blade Fixing Screw**, remove the old blade with the plastic tweezers, install a new blade. (PIC.①)
2. Adjust blade height according the method of 'Blade Height Adjusting Method'.

▼ Blade Position Changing Method

1. Use an allen key, loosen the **Blade Fixing Screw**. (PIC.①)
2. Press the blade scale with a cotton swab and turn the blade counterclockwise to a new position. (PIC.①)

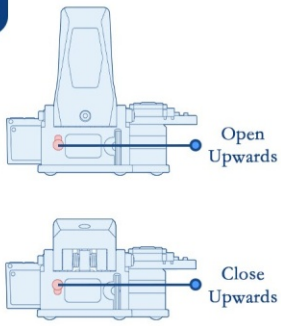
Cutting Step

①



Initial State of the cleaver.

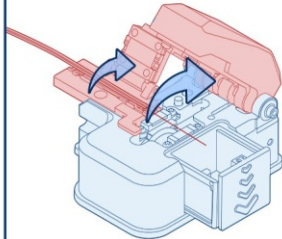
②



Open Upwards
Close Upwards

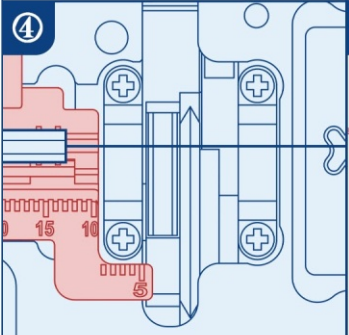
Press and hold the **Cover Plate** move it upwards to open the Latch

③



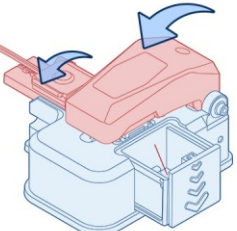
Open the **Fiber Fixture** and place the **Optical Fiber** in

④



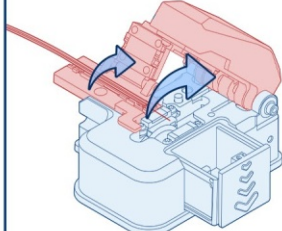
Align the scales and make sure the fiber in **Horizontal State**.

⑤



Close the fixture cover and press the **Cover Plate** to cut the fiber.

⑥



Open the **Fixture Cover**, take out the fiber.